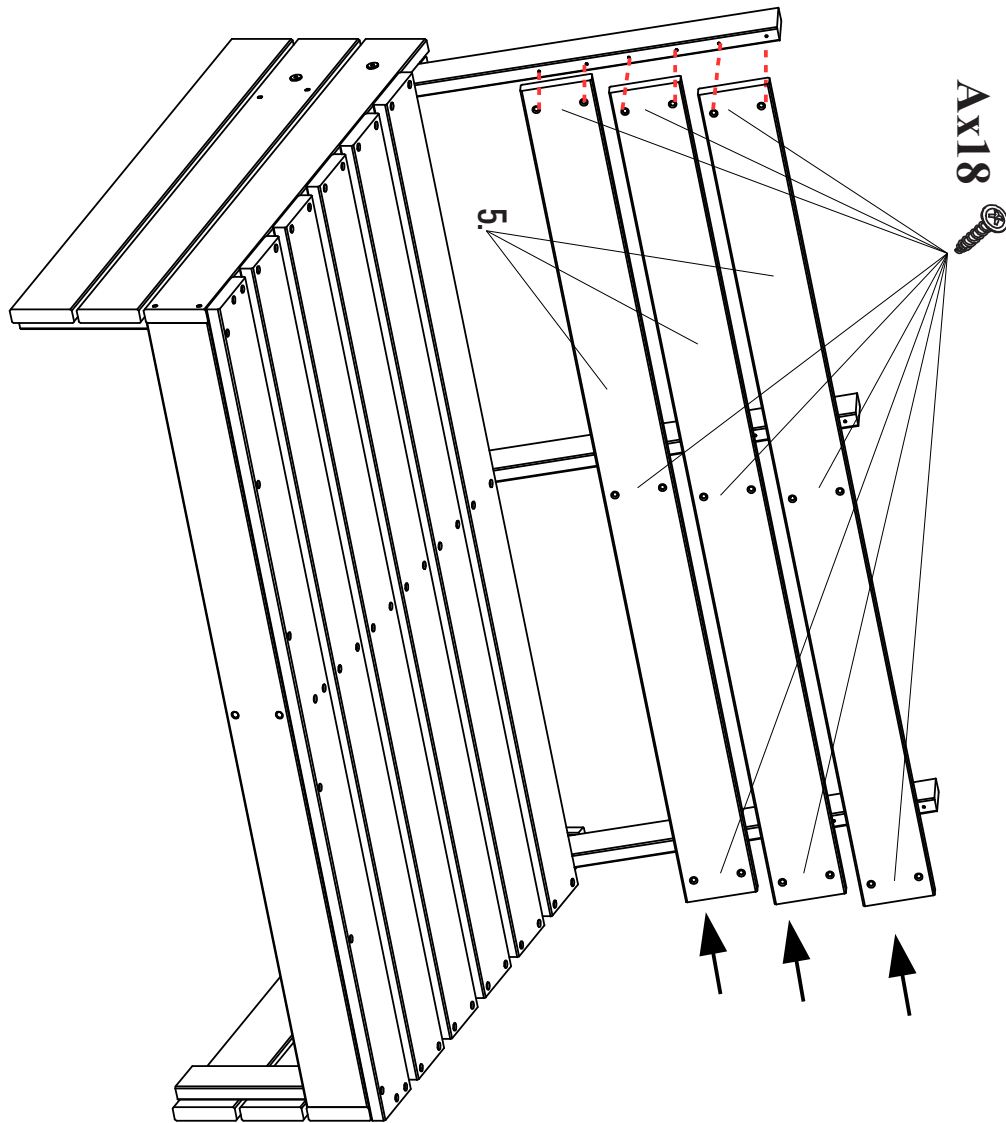
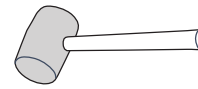
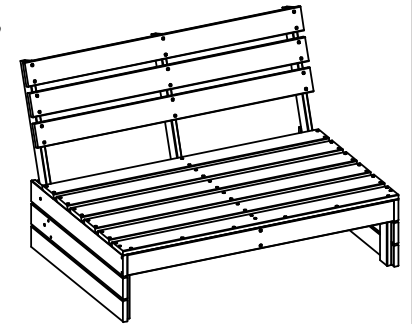


STEP 7



„Spare parts included”



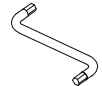
Ax80



Bx4



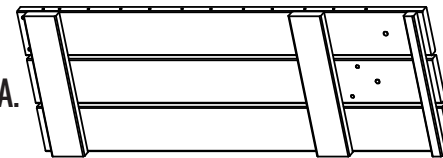
Cx4



Dx1

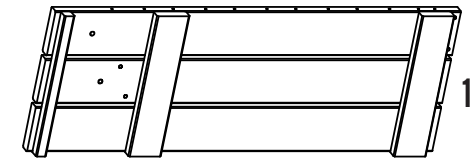
x1

1A.



x1

1B.

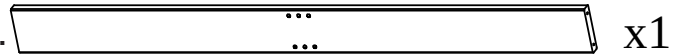


2A.



x1

2B.



x1

3.



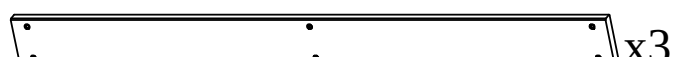
x1

4.



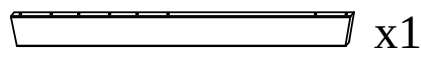
x5

5.



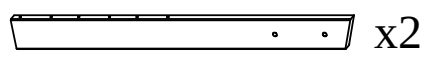
x3

6.



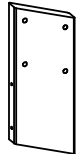
x1

7.

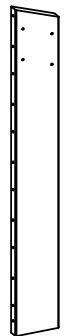


x2

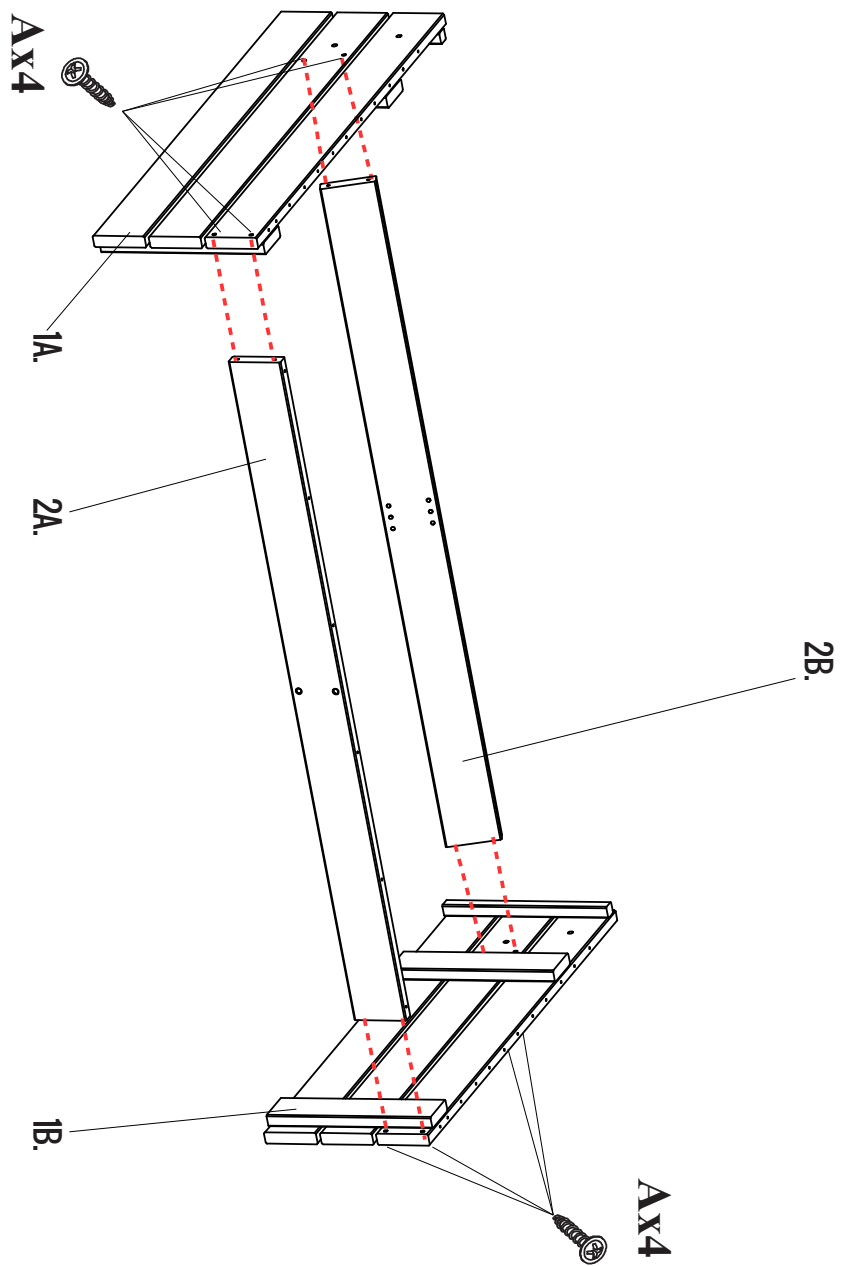
8.



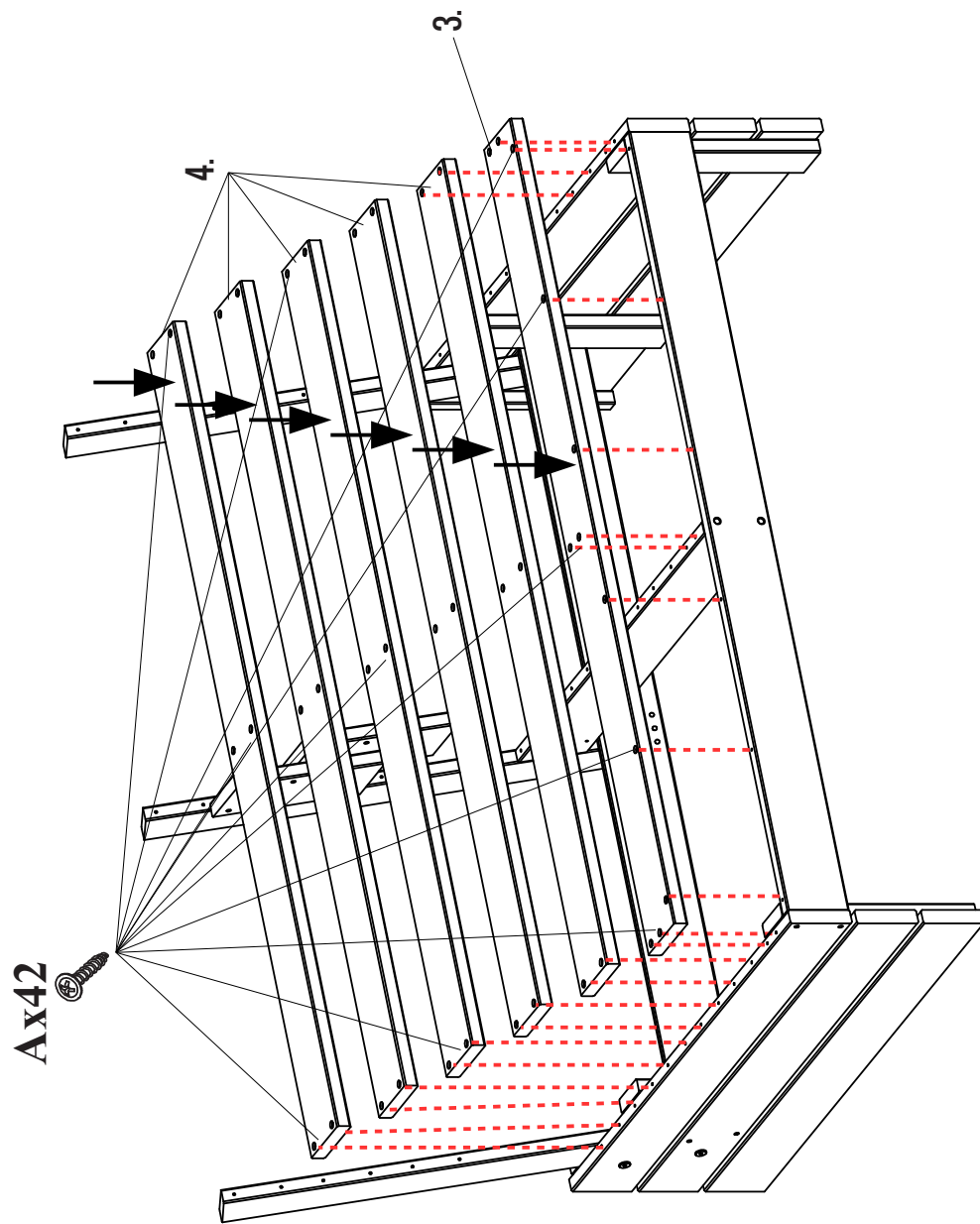
9.



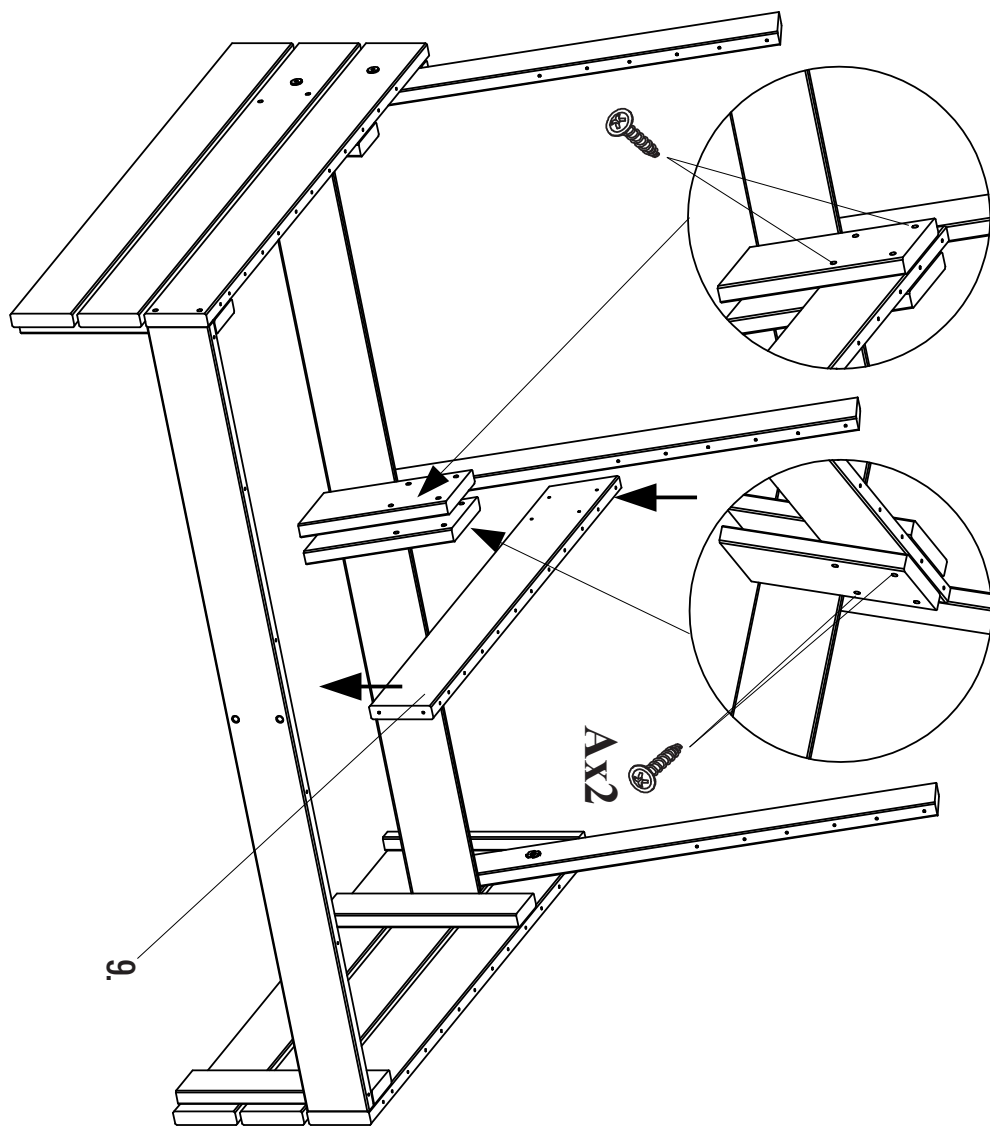
STEP 1



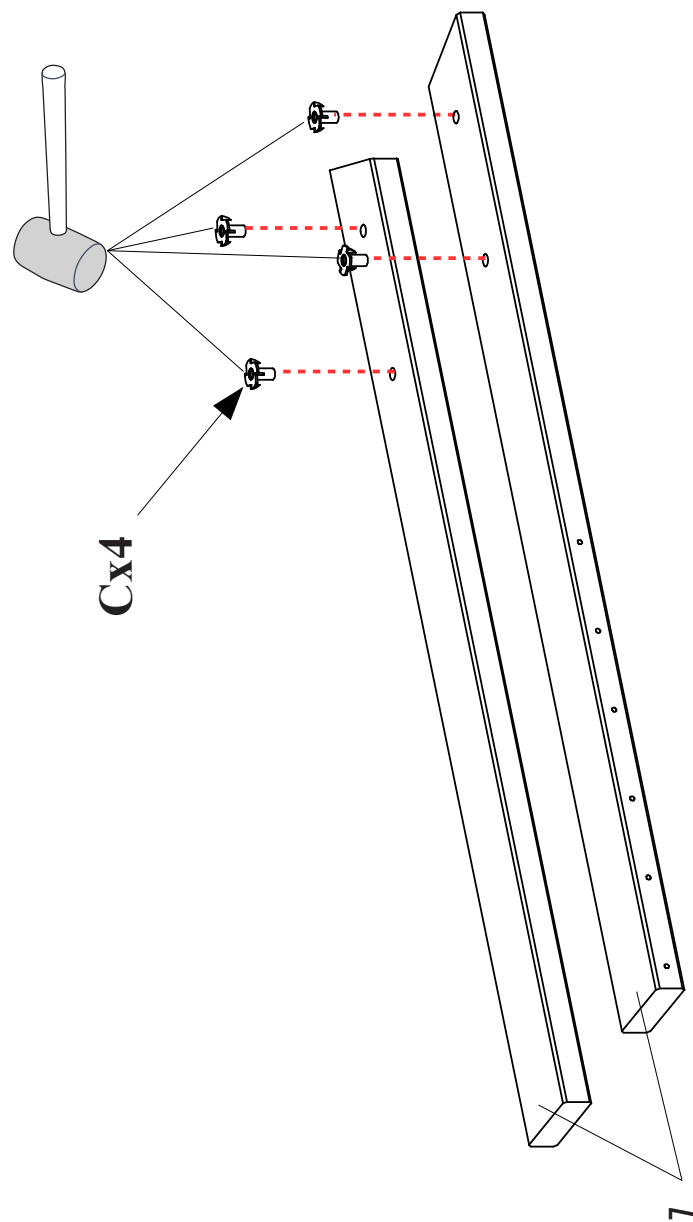
STEP 6



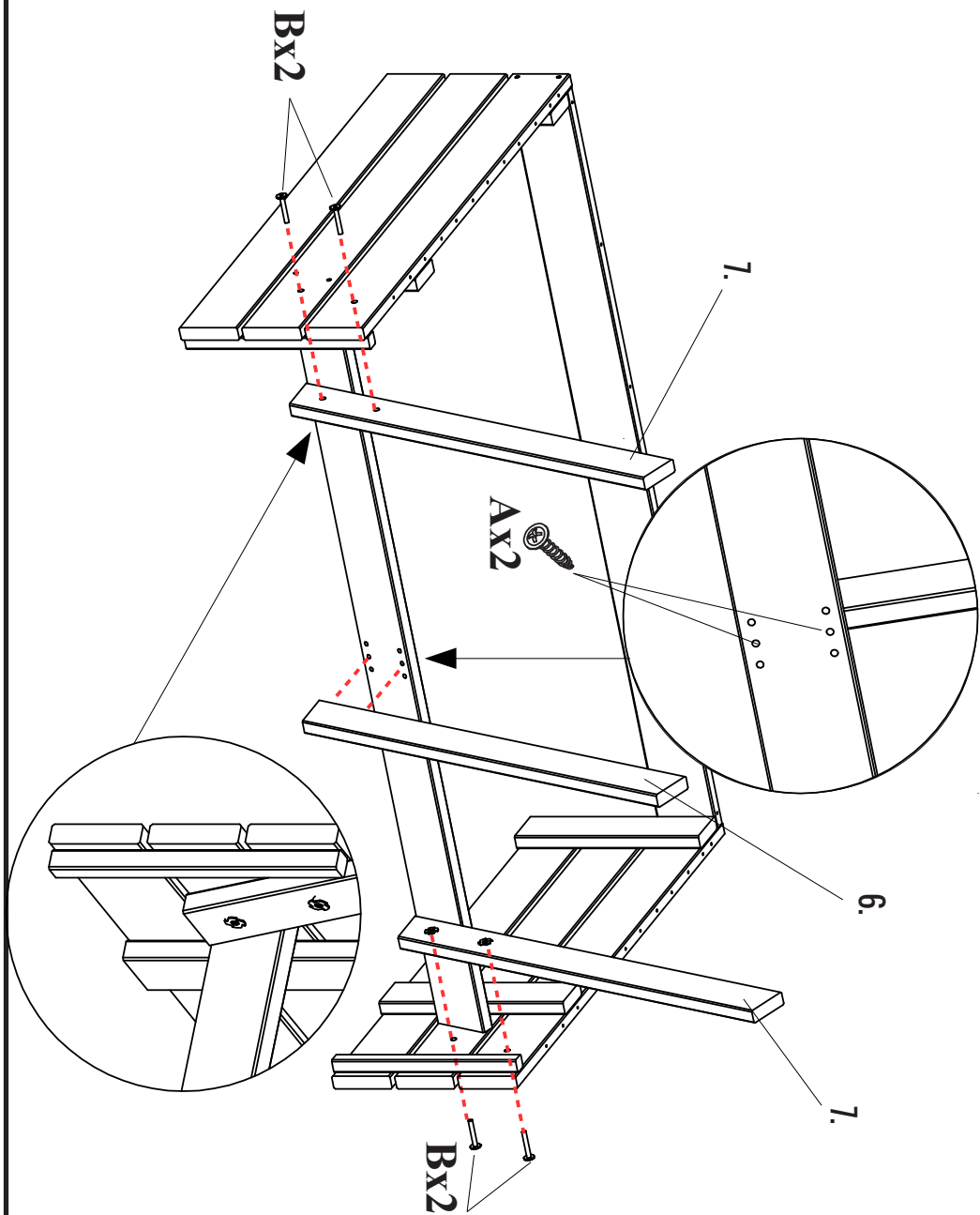
STEP 5



STEP 2



STEP 3



STEP 4

